

MULTIFUNCIONAL NEUMATICO ROTUS



Rotus

Sistema multifuncional neumático para desbaste, pulido y acabado con opción a utilizar 13 cabezales diferentes, convirtiéndolo en moto tool recto, de ángulo, alto torque, perfilador recíprocante lineal, orbital o en lijadora de banda.

Motor de 30,000 rpm con mecanismo de protección para prevenir el acceso de residuos y ensamblado especial de paleta para evitar el calentamiento, compatible con reductores de velocidad de 1/4 y 1/15 (RG-01, RG-02). Interruptor de control en forma de anillo ON/OFF y control de velocidad FWD/REV.

Boquillas desde (Ø0.3 - 6.0 mm), que pueden ser reemplazadas fácilmente.



CAT. No.	Model	Price
----------	-------	-------

RE11008	IR-310	
---------	--------	--

40,000 min⁻¹(rpm) Max. (*1) 40,000 min⁻¹(rpm) Max. (*2) Page 1-p8

RE10178	IH-300	
---------	--------	--

40,000 min⁻¹(rpm) Max. (*1) 40,000 min⁻¹(rpm) Max. (*2) Page 1-p8

2811	IG-400	
------	--------	--

40,000 min⁻¹(rpm) Max. (*1) 40,000 min⁻¹(rpm) Max. (*2) Page 1-p8

RE10188	HG-200	
---------	--------	--

27,000 min⁻¹(rpm) Max. (*1) 27,000 min⁻¹(rpm) Max. (*2) Page 1-p9

RE10235	BMH-300	
---------	---------	--

35,000 min⁻¹(rpm) Max. (*1) 35,000 min⁻¹(rpm) Max. (*2) Page 1-p9

RE10247	MFC-300S	
---------	----------	--

15,000 min⁻¹(rpm) Max. (*1) 15,000 min⁻¹(rpm) Max. (*2) Page 1-p9

RE10252	MFC-300M	
---------	----------	--

15,000 min⁻¹(rpm) Max. (*1) 15,000 min⁻¹(rpm) Max. (*2) Page 1-p9

RE10182	IC-300	
---------	--------	--

35,000 min⁻¹(rpm) Max. (*1) 20,000 min⁻¹(rpm) Max. (*2) Page 1-p10

RE10266	KC-300	
---------	--------	--

35,000 min⁻¹(rpm) Max. (*1) 20,000 min⁻¹(rpm) Max. (*2) Page 1-p10

LS10815	LS-100	
---------	--------	--

30,000 min⁻¹(rpm) Max. (*1) 30,000 min⁻¹(rpm) Max. (*2) Page 1-p12

LS51307	ML-8	
---------	------	--

35,000 min⁻¹(rpm) Max. (*1) 30,000 min⁻¹(rpm) Max. (*2) Page 1-p13

LS11380	SLS-16	
---------	--------	--

35,000 min⁻¹(rpm) Max. (*1) 24,000 min⁻¹(rpm) Max. (*2) Page 1-p13

RE18060	HA-500	
---------	--------	--

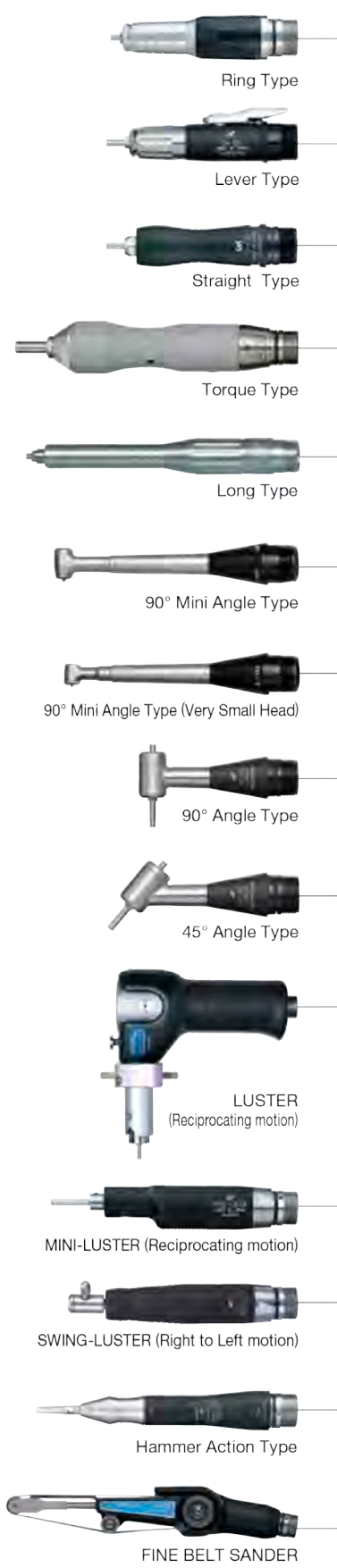
20,000 min⁻¹(rpm) Max. (*1) 16,000 min⁻¹(rpm) Max. (*2) Page 1-p16

KBS61065	KBS-101	
----------	---------	--


35,000 min⁻¹(rpm) Max. (*1) 35,000 min⁻¹(rpm) Max. (*2) Page 1-p16

* Maximum Allowable Speed, continuous use may change depending on the material being cut and other application variables.
 *1 : Maximum Allowable Speed, intermittent use. *2 : Maximum Allowable Speed, continuous use.

Attachment




Speed Reducer · Extension Joint




RE10210	CN-01	
---------	-------	--

35,000 min⁻¹(rpm) Max. (*1) Page 1-p18
35,000 min⁻¹(rpm) Max. (*2)



RO10214	RG-01	
---------	-------	--

30,000 min⁻¹(rpm) Max. (*1) Page 1-p18
30,000 min⁻¹(rpm) Max. (*2)



RO10228	RG-02	
---------	-------	--

30,000 min⁻¹(rpm) Max. (*1) Page 1-p18
30,000 min⁻¹(rpm) Max. (*2)

* May be connected between the motor and the attachment as required for increased torque.



- Air Motor with Chip Air Mechanism
3,000~30,000 min⁻¹(rpm)

RO10163A	IM-300	
----------	--------	--

Page 1-p33



- Air Motor with 360° Twist-Free Joint
3,000~30,000 min⁻¹(rpm)

RO10163	IM-301	
---------	--------	--

Page 1-p33



- Air Line kit

4507	AL-H1207F	
------	-----------	--

*This air line kit is designed for use with the Page 5-p2
AFC-45 foot control, CAT. No.AF10045.



- Foot Control

AF10045	AFC-45	
---------	--------	--

Page 6-p9